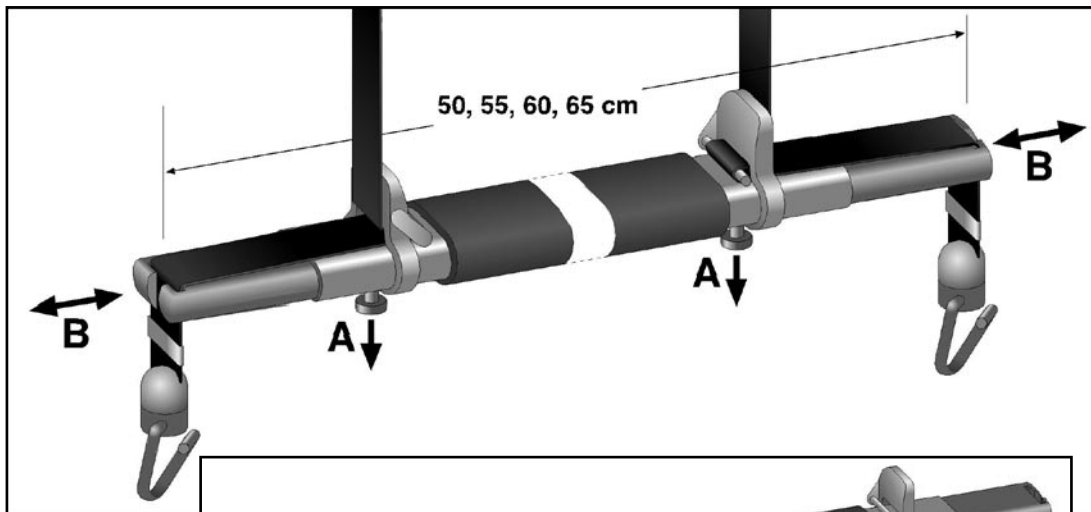
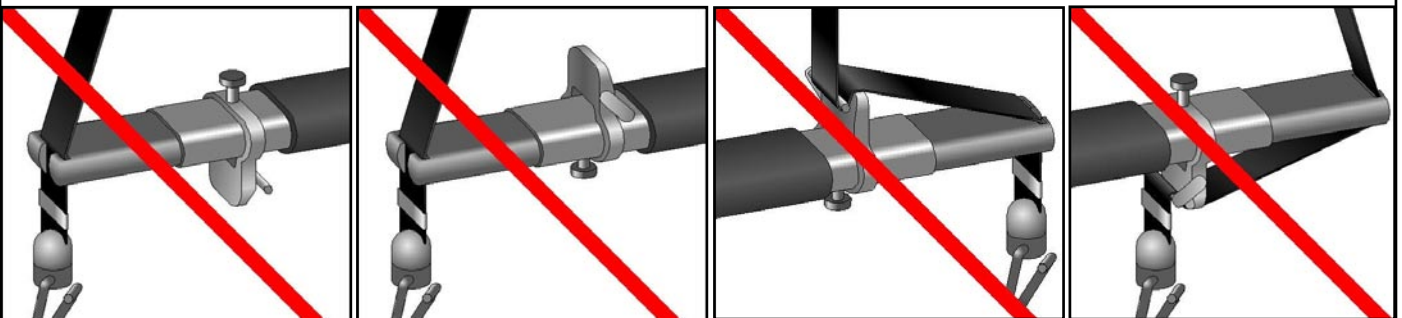
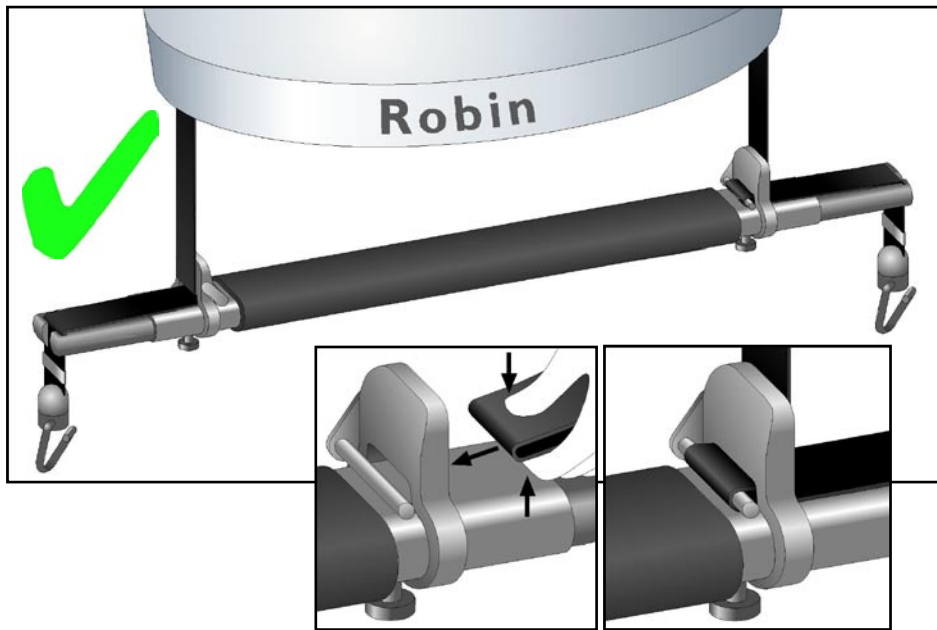

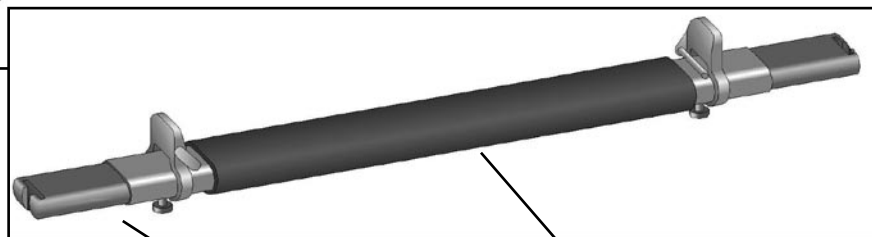




Yes, you can.



 = 200 kg.



## Invacare Sales

### Belgium & Luxemburg:

Invacare nv  
Autobaan 22  
B-8210 Loppem  
Tel: (32) (0)50 83 10 10  
Fax: (32) (0)50 83 10 11  
belgium@invacare.com  
www.invacare.be

### Danmark:

Invacare A/S  
Sdr. Ringvej 37  
DK-2605 Brøndby  
Tel: (45) (0)36 90 00 00  
Fax: (45) (0)36 90 00 01  
denmark@invacare.com  
www.invacare.dk

### France:

Invacare Poirier SAS  
Route de St Roch  
F-37230 Fondettes  
Tel: (33) (0)2 47 62 64 66  
Fax: (33) (0)2 47 42 12 24  
contactfr@invacare.com  
www.invacare.fr

### Ireland:

Invacare Ireland Ltd,  
Unit 5 Seatown Business Campus  
Seatown Road, Swords, County Dublin  
Tel : (353) 1 810 7084  
Fax: (353) 1 810 7085  
ireland@invacare.com  
www.invacare.ie

### Italia:

Invacare Mecc San s.r.l.,  
Via dei Pini 62,  
I-36016 Thiene (VI)  
Tel: (39) 0445 38 00 59  
Fax: (39) 0445 38 00 34  
italia@invacare.com  
www.invacare.it

### Nederland:

Invacare BV Galvanistraat  
14-3  
NL-6716 AE Ede  
Tel: (31) (0)318 695 757  
Fax: (31) (0)318 695 758  
nederland@invacare.com  
www.invacare.nl

### Norge:

Invacare AS  
Grensesvingen 9, Postboks 6230,  
Etterstad  
N-0603 Oslo  
Tel: (47) (0)22 57 95 00  
Fax: (47) (0)22 57 95 01  
norway@invacare.com  
www.invacare.no

### Sverige:

Invacare AB  
Fagerstagatan 9  
S-163 53 Spånga  
Tel: (46) (0)8 761 70 90  
Fax: (46) (0)8 761 81 08  
sweden@invacare.com  
www.invacare.se

### United Kingdom:

Invacare Limited  
Pencoed Technology Park, Pencoed  
Bridgend CF35 5AQ  
Tel: (44) (0) 1656 776 222  
Fax: (44) (0) 1656 776 220  
uk@invacare.com  
www.invacare.co.uk

### Eastern Europe, Middle East & CIS:

Invacare EU Export  
Kleiststraße 49  
D-32457 Porta Westfalica / Germany  
Tel: (49) (0)57 31 754 540  
Fax: (49) (0)57 31 754 541  
webinfo-eu-export@invacare.com  
www.invacare-eu-export.com



Invacare Portugal, Lda  
Rua Estrada Velha 949  
4465-784 Leça do Balio  
Portugal