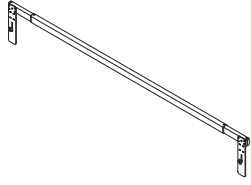


1648540-xxxx  
1648229-xxxx

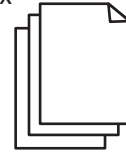
1 x



2 x

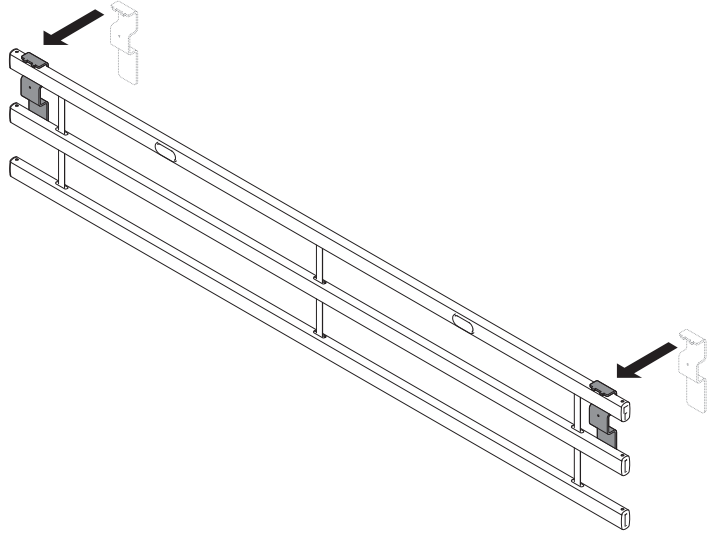
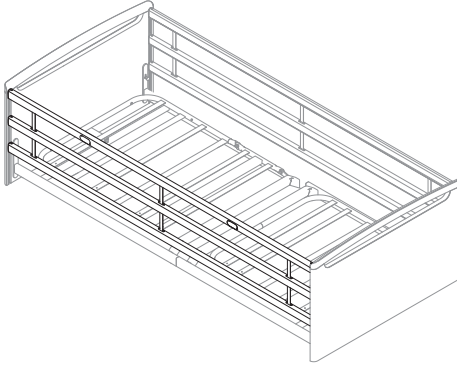


1 x

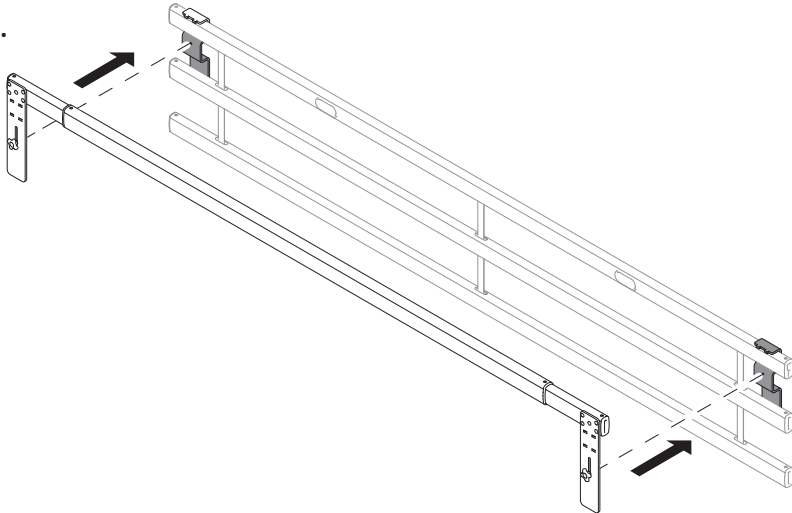


Invacare® Freya  
Invacare® Embla

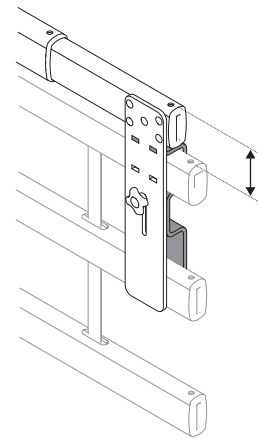
1.



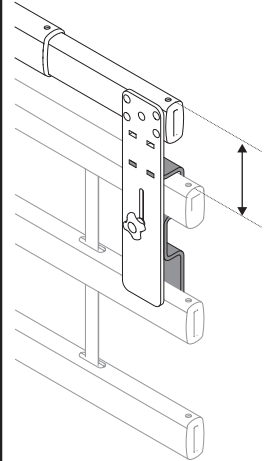
2.



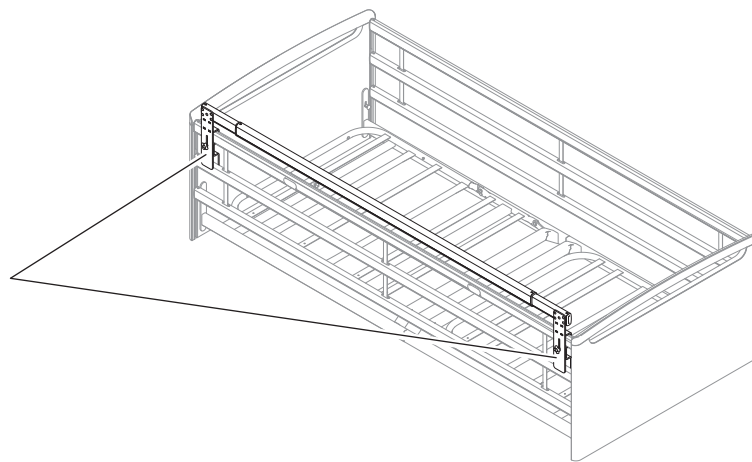
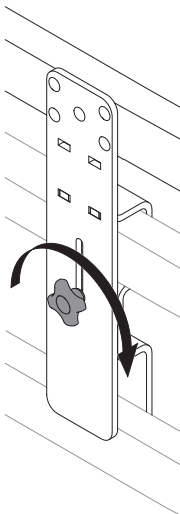
6 cm



10 cm



3.



Invacare REA AB  
Växjövägen 303  
SE-343 71 Diö  
Sweden

